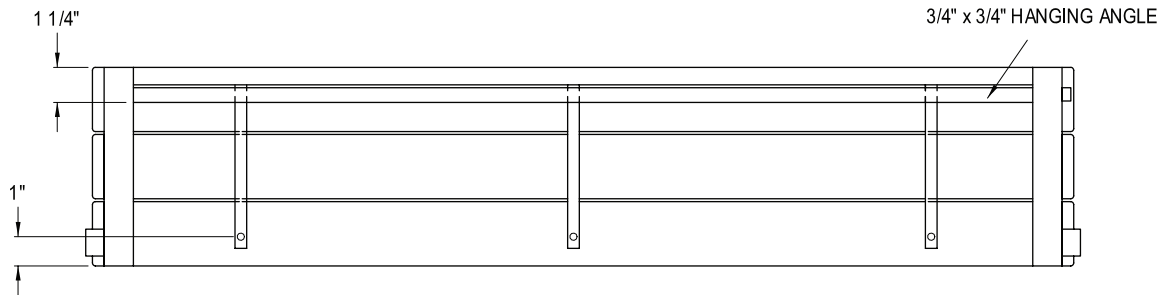


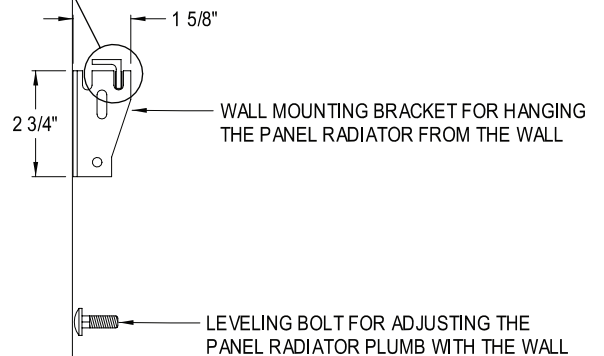
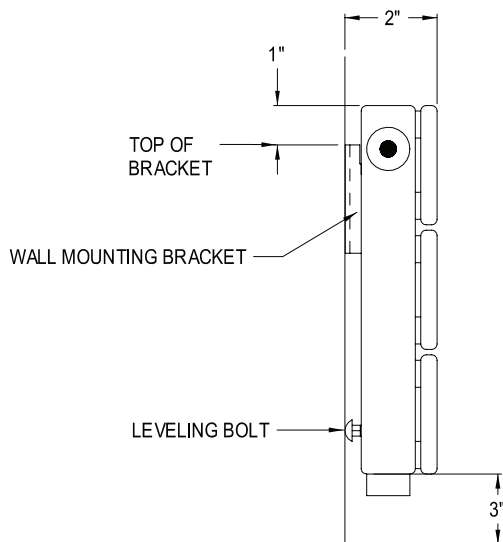
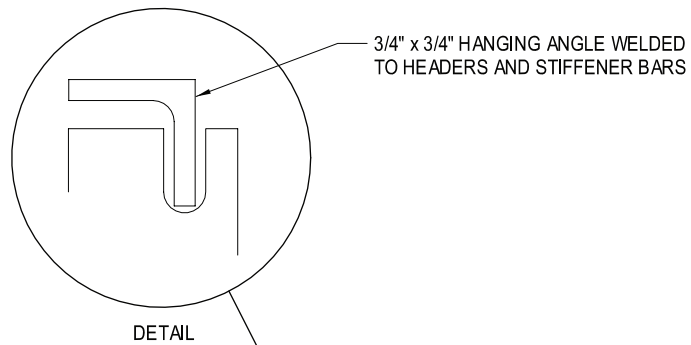
Rittling Steel Panel Radiator

PR Wall Mount (Back View) Typical Bracket Installation



Panel length	Qty. of brackets/ pedestals *
1'8" – 5'0"	2 pieces
5'2" – 11'6"	3 pieces
11'8" – 19'8"	4 pieces
19'10" – 24'8"	5 pieces
24'10" – 29'6"	6 pieces

* A LEVELING BOLT IS SUPPLIED FOR EACH BRACKET



Contractor _____

Architect _____

Engineer _____

Representative _____

Location _____

zehnder
Rittling

BUFFALO, NY USA

TITLE

ZR_PanRad_PR_WallMount

DRAWING NUMBER

April 1, 2012