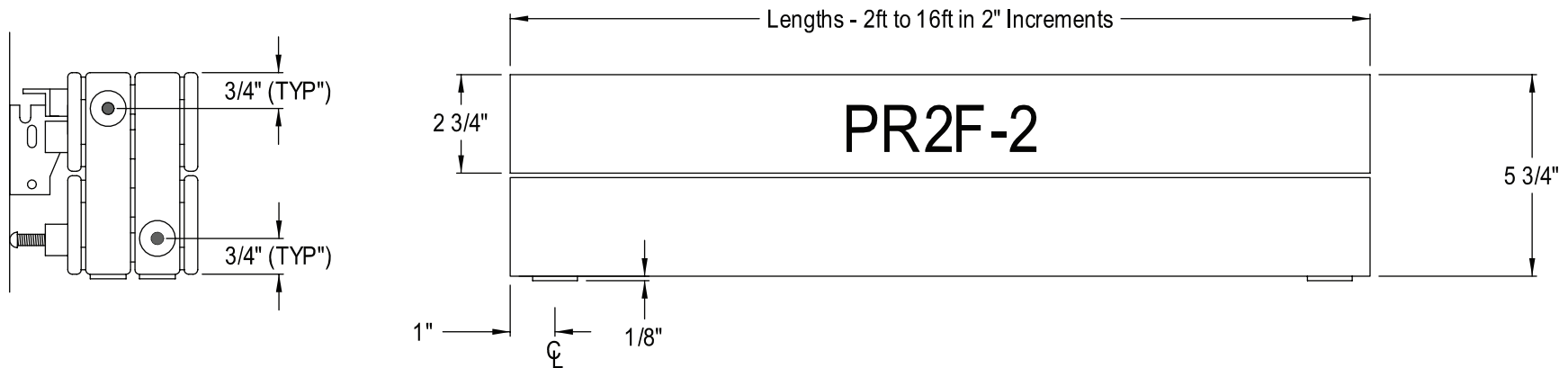
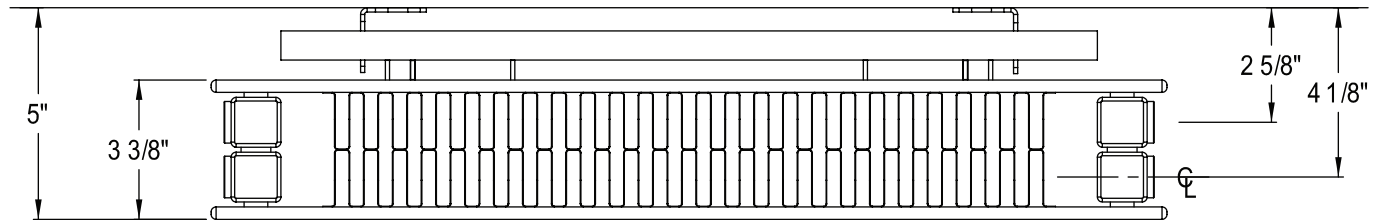



Rittling Steel Panel Radiator

PR2F-2



ALL PR2F UNITS PROVIDED WITH SUPPLY CONNECTION ON FRONT HEADER AND RETURN CONNECTION ON REAR HEADER.
 UNIT SHOWN WITH SIDE AND BOTTOM CONNECTIONS FOR DIMENSIONAL PURPOSES ONLY.
 PLEASE REFER TO PIPE CONNECTION SHEET FOR CONNECTION LOCATIONS AND SIZES OFFERED.

Contractor _____ Representative _____ Architect _____ Location _____ Engineer _____	 BUFFALO, NY USA
	TITLE ZR_PanRad_PR2F-2
	DRAWING NUMBER April 1, 2012